



Coaxial Directional Coupler

50W 7-12.4GHz 6dB



- High power handle capability up to 50W
- Wide band operation
- High directivity within operational band
- Low Insertion loss
- Low temperature coefficient material offer stable performance over temperature
- LMDS multi-carrier operation
- High peak to average handle capability
- All specifications can be modified upon request

General Specification		Min.	Typ.	Max.	
Frequency Range		7		12.4	GHz
Nominal Coupling		5	6	7	dB
Frequency Sensitivity			±0.3	±0.5	dB
Directivity		13	15		dB
Insertion Loss (Excl Coupling)				0.3	dB
Insertion Loss (True)			1.5	1.8	dB
VSWR Primary			1.2	1.3	:1
VSWR Secondary			1.2	1.3	:1
Power Rating	Average	50			W
	Peak	1 (1% Duty Cycle, 1 us Pulse Width)			KW
Impedance		50			Ohms
Weight		0.8 Max.			ounces
Input / Output Connectors		SMA-Female (Stainless steel)			
Material		Aluminium			
Finish		Gray Paint			





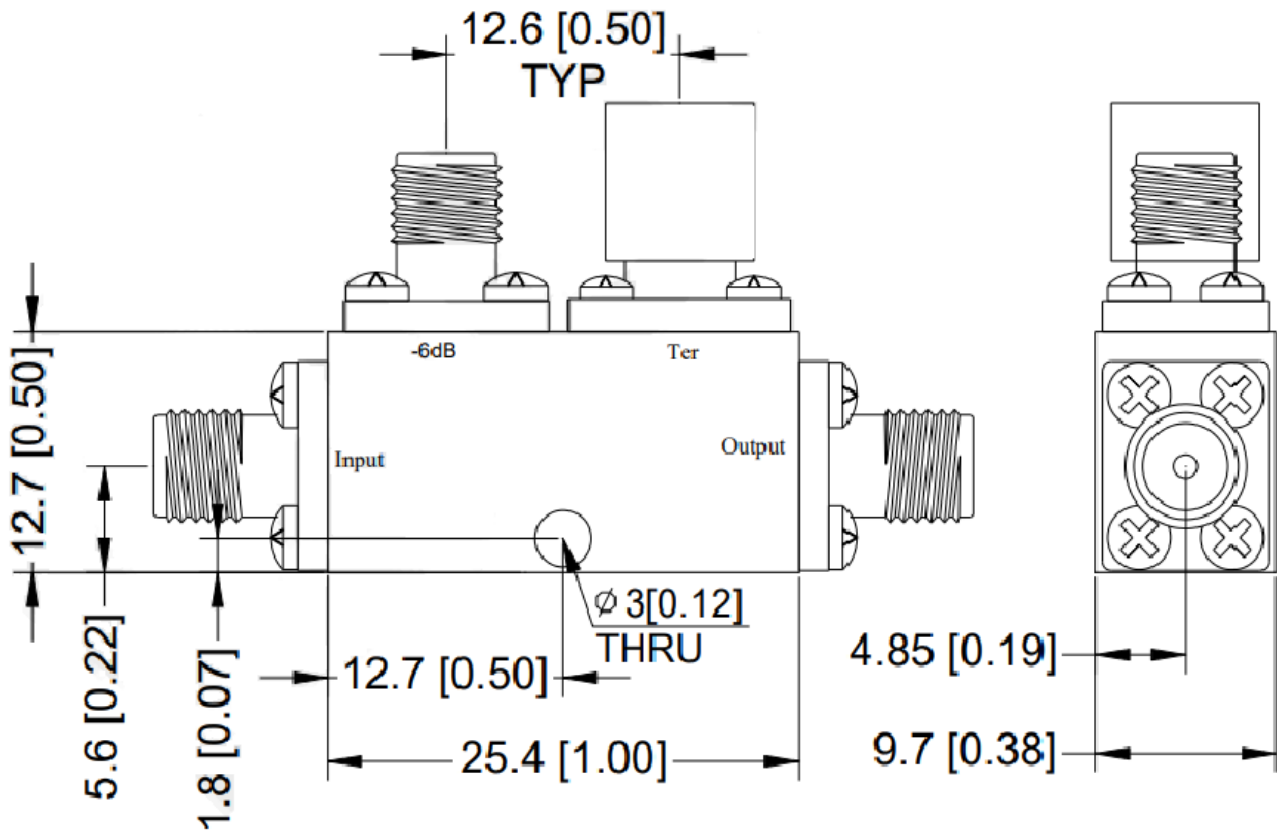
Environmental Specification	
Operational Temperature	40°C~+85°C
Storage Temperature	-50°C~+105°
Altitude	30,000 ft. (Epoxy Sealed Controlled environment)
(Optional)	60,000 ft. 1.0psi min (Hermetically Sealed Un-controlled environment)
Vibration	25g RMS (15 degrees 2KHz) endurance, 1 hour per axis
Humidity	100% RH at 35°c, 95%RH at 40°c
Shock	20G for 11msec half sine wave, 3 axis both directions

Outline Drawing:

All Dimensions in mm (inches)

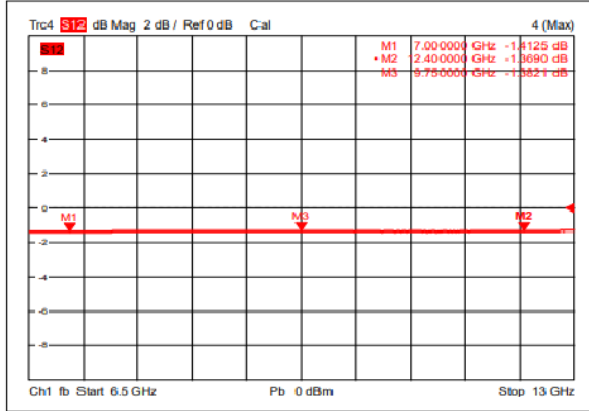
Outline Tolerances ± 0.5 (0.02)

Mounting Holes Tolerances ± 0.2 (0.008)

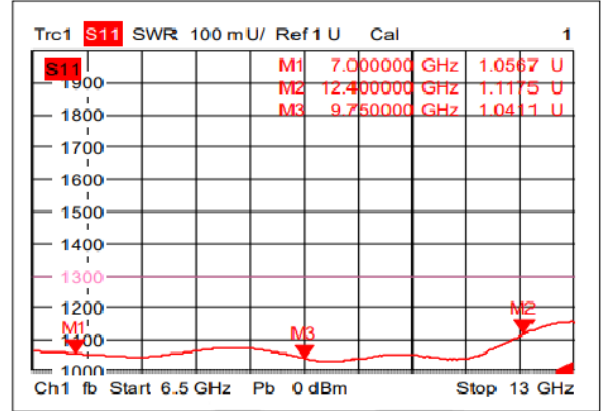




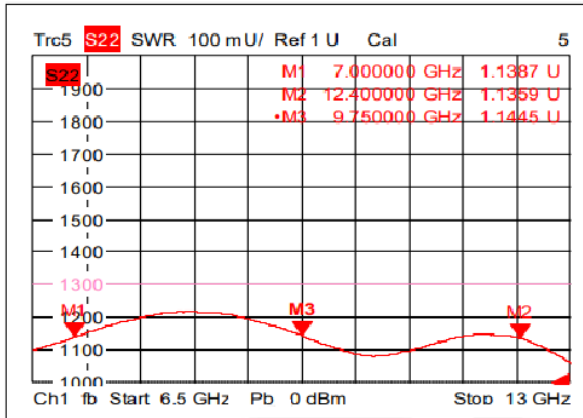
Insertion Loss



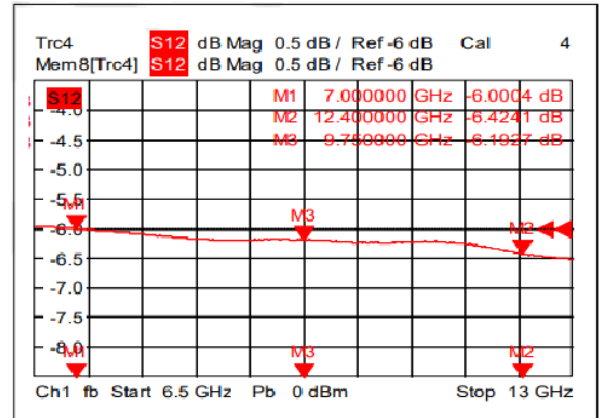
Primary VSWR



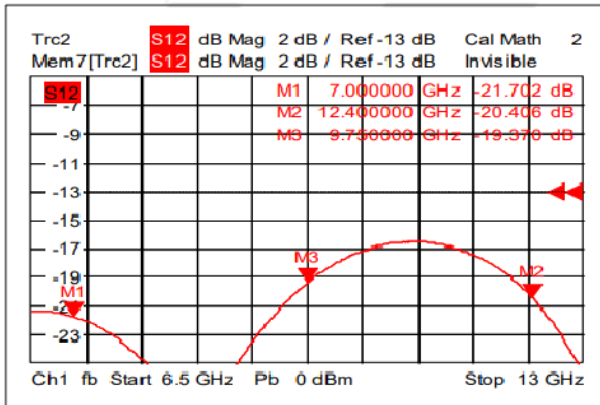
Secondary VSWR



Nominal Coupling



Directivity



Note 1: The specification is subject to regular reviews and will be updated from time to time as part of our continuing product development and improved spec accuracy.

Note 2: Operation beyond the quoted limits stated above may cause instantaneous and permanent damage.

Note 3: All specs are for 50 Ohm connectors unless detailed otherwise.

ETL SYSTEMS LIMITED
Coldwell Radio Station
Madley
Hereford
England HR2 9NE

TELEPHONE
+44 (0)1981 259020

EMAIL
info@etlsystems.com

FACSIMILE
+44 (0)1981 259021

WEB
www.etlsystems.com

