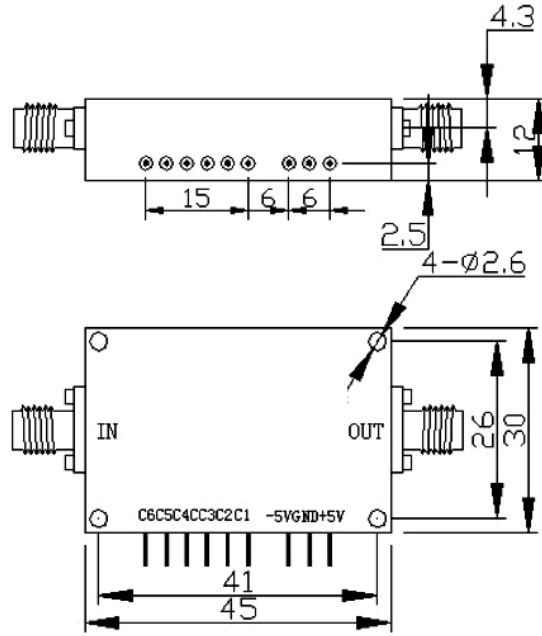


Digital Control Attenuator

0.5 - 18GHz

- 0-60dB Attenuation
- 0.5 - 18.0GHz
- 50 Ohms
- SMA Female



Unit: mm

RF Parameters	
Frequency Range (GHz)	0.5 - 18.0GHz
Attenuation	0 - 60dB
Step	1dB
Attenuation Flatness	±1.0dB max (0-31dB) ±1.5dB max (32-60dB)
Insertion Loss	8.5dB max
VSWR	2.0 max
Power Handling	25dBm
Switching Speed	500ns max
Control	TTL, 6 bits
Power Supply	+5V & -5V
Impedance	50 ohms
RF Connectors	SMA Female
Operating Temperature	-40°C to +70°C

Note 1: The specification provided is at nominal bias voltage and at 25°C unless otherwise specified

Note 2: The specification is subject to regular reviews and will be updated from time to time as part of our continuing product development and improved spec accuracy.

Note 3: Operation beyond the quoted limits stated above may cause instantaneous and permanent damage.

