

Low Frequency Isolators

• 100 - 1000 MHz

The LFI series of coaxial isolators are designed for low power applications in communications, test and measurement and scientific research applications requiring good RF performance in a compact and economic package.



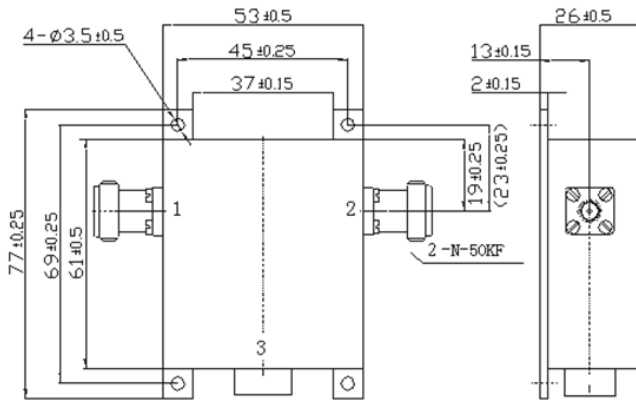
General Specification	
Impedance	50 ohm
Operating Temperature Range	-20 to +70°C
Connectors	N-Type or SMA Female
Finish	Nickel Plated
Direction	P1→P2

Model Number	Former Model Number	Frequency Range (MHz)	Isolation (dB) min.	Insertion Loss (dB) max.	VSWR max.	Average Power (W) max. Forward/Reverse
ISOF2-760006-xxxx	LFI-100200	100 - 200	16	1.4	1.5	50/10
ISOF4-760072-xxxx	LFI-200400	200 - 400	15	1.2	1.5	50/10
ISOF4-760038-xxxx	LFI-300500	300 - 500	17	0.9	1.4	50/10
ISOF4-760075-xxxx	LFI-5001000	500 - 1000	14	1.5	1.6	15/10

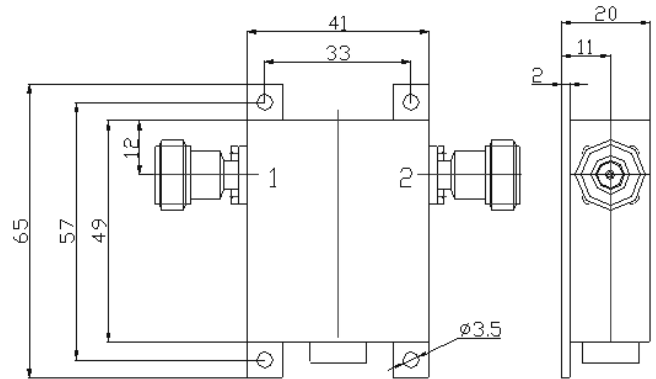
Note 1: The specification is subject to regular reviews and will be updated from time to time as part of our continuing product development and improved spec accuracy.
 Note 2: Operation beyond the quoted limits stated above may cause instantaneous and permanent damage.



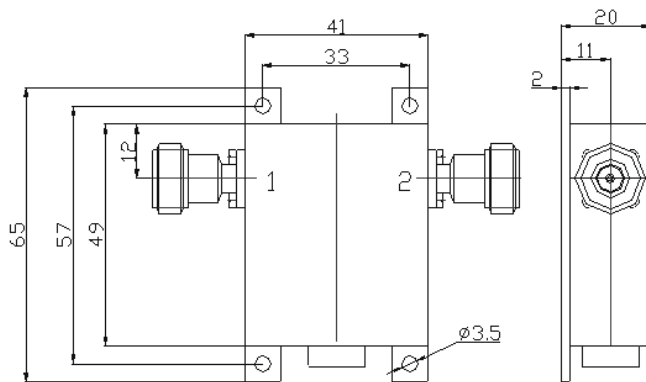
Physical Dimensions (mm)



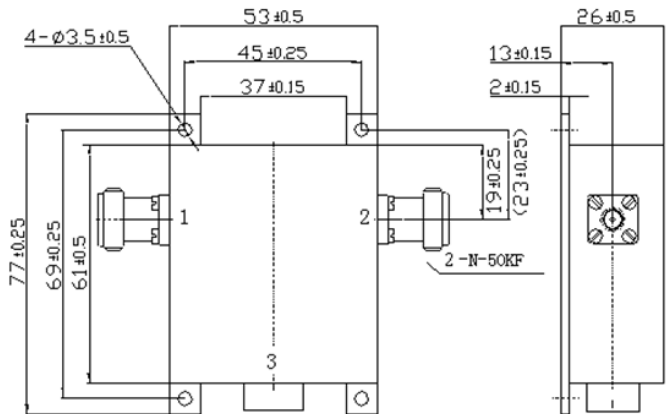
ISO2-760006-N5N5



ISO4-760038-N5N5



ISO4-760075-N5N5



ISO4-760072-N5N5

Note 1: The specification is subject to regular reviews and will be updated from time to time as part of our continuing product development and improved spec accuracy.
 Note 2: Operation beyond the quoted limits stated above may cause instantaneous and permanent damage.

