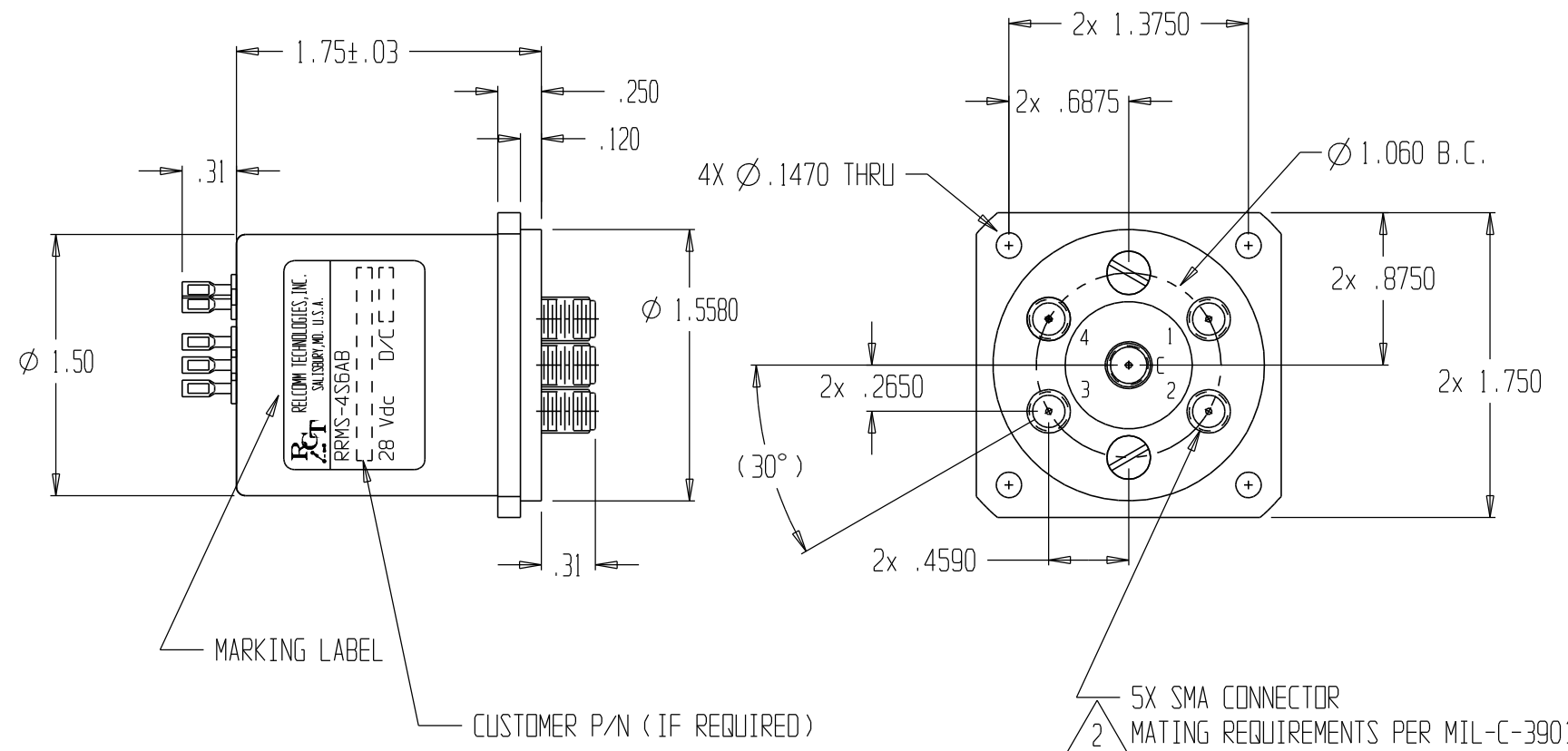
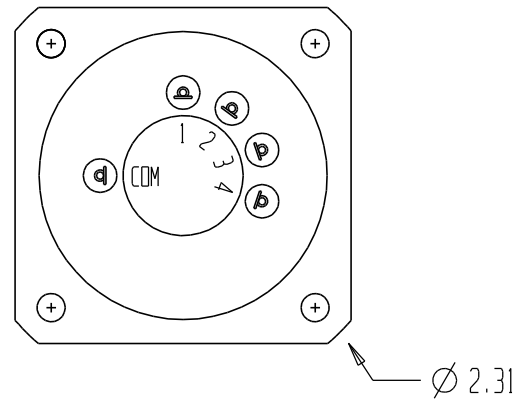


NOTES:

1. INTERPRET CALLOUTS/SYMBOLS PER ASME Y14.5M-1994
2. RECOMMENDED MATING CONNECTOR TORQUE IS 8 lb-in (90 N-cm) DO NOT EXCEED 12 lb-in (136 N-cm) AS DAMAGE TO CONNECTOR MAY RESULT.
3. VERIFICATION OF CHARACTERISTICS ARE IN REFERENCE WITH MIL-S-3928.
4. THIS RELAY IS ROHS COMPLIANT.



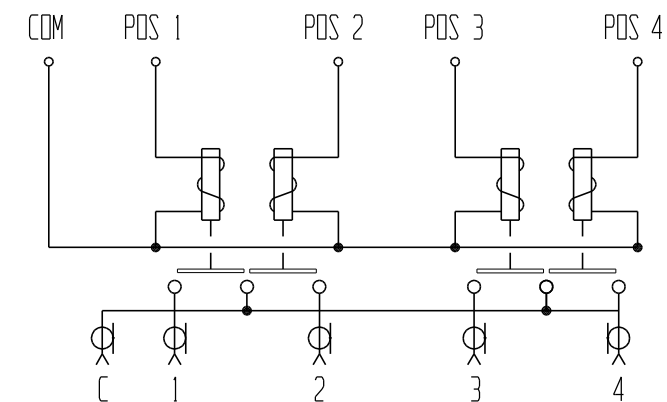
CHARACTERISTICS:

NOMINAL IMPEDANCE (OHM) -----	50			
FREQUENCY RANGE (GHz) -----	DC-4	4-8	8-12.4	12.4-18
V.S.W.R. (MAX) -----	1.2:1	1.3:1	1.4:1	1.5:1
INSERTION LOSS (dB MAX) -----	0.2	0.3	0.4	0.5
ISOLATION (dB MIN) -----	80	70	60	60
AVERAGE POWER(WATTS TYP)-----	85	55	45	35

TEMPERATURE RANGE (OPERATING) ---	-40°C - +85°C	
TEMPERATURE RANGE (STORAGE) -----	-55°C - +100°C	
SWITCHING ACTION -----	FAILSAFE TO OPEN	
OPERATING VOLTAGE (OVER TEMP) ---	22 - 30 Vdc	
PICKUP VOLTAGE (MAX @20°C) -----	20 Vdc	
DROPOUT VOLTAGE -----	>2.0 Vdc	
ACTUATING CURRENT (mA MAX) -----	115 @ 28 Vdc & 20°C	
SWITCHING TIME (MAX) -----	15 mSEC	
LIFE (MIN PER POSITION)-----	1 * 10 ⁶ CYCLES	
WEIGHT (OZ) -----	4.5 NOM	

MATERIALS/FINISH:

HOUSING -----	ALUMINUM/NICKEL
COVER -----	ALUMINUM/BLACK ANODIZED
CONNECTORS ---	STAINLESS STEEL/PASSIVATE
INSULATION ---	TEFLON
CONTACTS -----	BERYLLIUM COPPER/GOLD
TERMINALS -----	NI-FE/SN-96.5 SOLDER

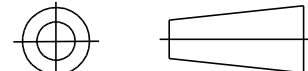


SCHEMATIC SHOWN WITH ALL PORTS OPEN

-	RELEASED	7/15/08	A. MAGDA
A	PRELIMINARY	12/06/06	A. MAGDA
REV	ECN NO.	DATE	APPROVAL

UNLESS OTHERWISE SPECIFIED:
 DIMENSIONS ARE IN INCHES
 AND INCLUDE PLATING.
 TOLERANCES
 .XX ±.02 FRACTIONS ±
 .XXX ±.010 SURFACE QUALITY
 .XXXX ±.0050 63/ MAX

THIRD ANGLE PROJECTION



DR	A. MAGDA	12/06/06
CK	M. MAGDA	
ENG	B. JONES	
MFG		
QA		
THIS DRAWING AND SPECIFICATIONS ARE THE PROPERTY OF RELCOMM TECHNOLOGIES AND SHALL NOT BE REPRODUCED OR COPIED OR USED IN WHOLE OR IN PART AS THE BASIS FOR THE MANUFACTURE OR SALE OF ITEM(S) WITHOUT WRITTEN PERMISSION.		

		RELCOMM TECHNOLOGIES, INC. 610 BEAM STREET SALISBURY, MARYLAND 21801
TITLE 1P4T COAXIAL RELAY 28 VDC FAILSAFE OPEN		
SIZE B	DWG NO. RRMS-4S6AB	REV -
SCALE 1:1	DO NOT SCALE DWG	SHEET 1 OF 1