

- NOTES:
1. INTERPRET CALLOUTS/SYMBOLS PER ASME Y14.5M-1994
  2. RECOMMENDED MATING CONNECTOR TORQUE IS 8 lb-in (90 N-cm) DO NOT EXCEED 12 lb-in (136 N-cm) AS DAMAGE TO CONNECTOR MAY RESULT.
  3. VERIFICATION OF CHARACTERISTICS ARE IN REFERENCE WITH MIL-DTL-3928.
  4. THIS RELAY IS RoHS COMPLIANT.

CHARACTERISTICS:

NOMINAL IMPEDANCE (OHM)	50
FREQUENCY RANGE (GHz)	DC-4
V.S.W.R. (MAX)	1.2:1
INSERTION LOSS (dB MAX)	0.2
ISOLATION (dB MIN)	80
RELAY THRU POWER (WATTS TYP)	85
TERMINATION INPUT POWER	2 WATTS
VSWR THRU TERMINATION	1.6 MAX

TEMPERATURE RANGE (OPERATING)	-40°C - +85°C
TEMPERATURE RANGE (STORAGE)	-55°C - +100°C
SWITCHING ACTION	BREAK BEFORE MAKE
OPERATING VOLTAGE (OVER TEMP)	24 - 32
PICKUP VOLTAGE (MAX @ 25°C)	20 Vdc
DROPOUT VOLTAGE	> 2 Vdc
ACTUATING CURRENT (mA MAX)	227 @ 28 Vdc & 25°C
SWITCHING TIME (MAX)	15 mSEC
LIFE (MIN PER POSITION)	1 * 10 <sup>6</sup> CYCLES
WEIGHT (OZ)	2.1 NOM

MATERIALS/FINISH:

HOUSING ----- ALUMINUM/RoHS NICKEL

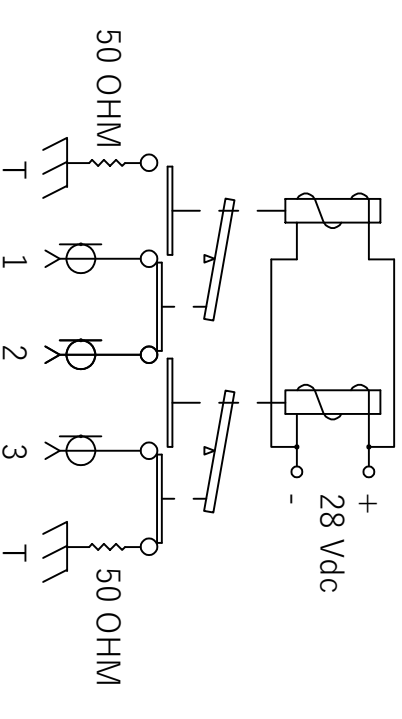
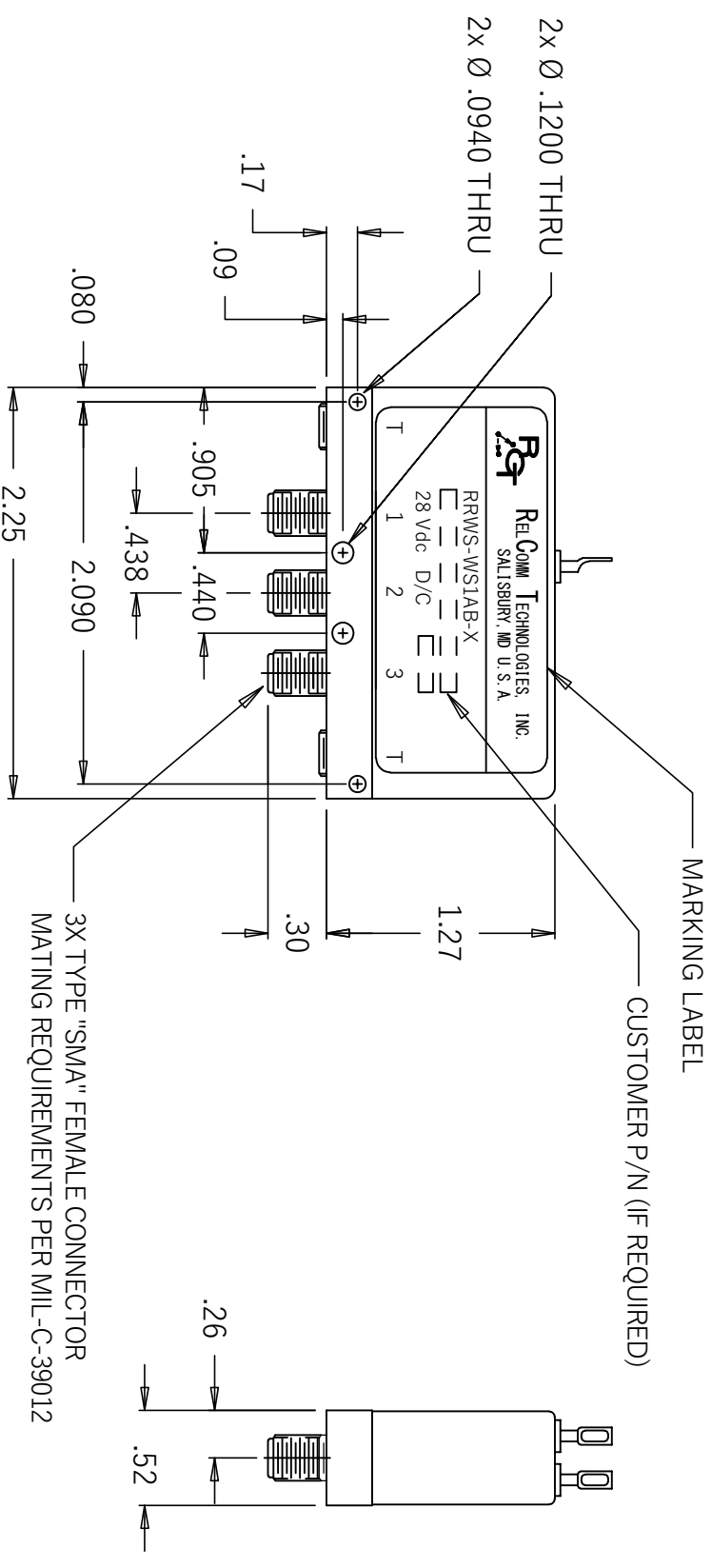
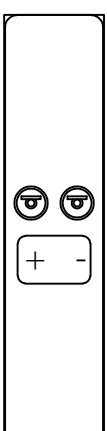
COVER ----- ALUMINUM/BLACK ANODIZED

CONNECTORS --- STAINLESS STEEL/PASSIVATE

INSULATION ---- TEFLON

CONTACTS ----- BERYLLIUM COPPER/GOLD

TERMINALS ----- Ni-Fe/Sn-PLATED



SCHEMATIC SHOWN IN DE-ENERGIZED POSITION

REV	ECN NO.	DATE	APPROVAL
A	PRELIMINARY	5/22/07	A.MAGDA
1	ECN 2244	1/8/21	A.MAGDA
-	RELEASED	5/22/07	A.MAGDA

UNLESS OTHERWISE SPECIFIED:  
DIMENSIONS ARE IN INCHES  
AND INCLUDE PLATING.  
TOLERANCES

.XX ± .02  
.XXX ± .010  
.XXXX ± .0050

FRACTIONS ±  
SURFACE QUALITY  
63/MAX

THIRD ANGLE PROJECTION

DR	A.MAGDA	5/22/07
CK	M.MAGDA	
ENG	B.JONES	
MFG		
QA		

THIS DRAWING AND SPECIFICATIONS ARE THE PROPERTY OF RELCOMM TECHNOLOGIES AND SHALL NOT BE REPRODUCED OR COPIED OR USED IN WHOLE OR IN PART AS THE BASIS FOR THE MANUFACTURE OR SALE OF ITEM(S) WITHOUT WRITTEN PERMISSION.

**RELCOMM TECHNOLOGIES, INC.**  
610 BEAM STREET  
SALISBURY, MD 21801

TITLE: COAXIAL 2P2T RELAY "FAILSAFE"

SIZE: B  
DWG NO.: RRWS-WS1AB-X  
SCALE: 1:1  
DO NOT SCALE DWG

REV: 1  
SHEET: 1 OF 1