

Atlantic Microwave

Two-Way Resistive Power Divider

Model No. BPR-008-2300-2

- 8-2300MHz
- Low VSWR
- Low Insertion Loss
- Excellent Amplitude Balance
- Wide Operating Temperature
- Rugged Construction



Operating frequency range 8-2300MHz



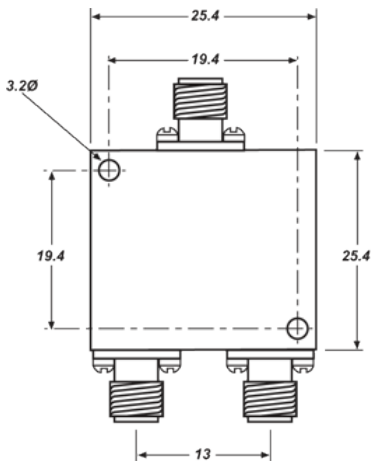
50 Watts



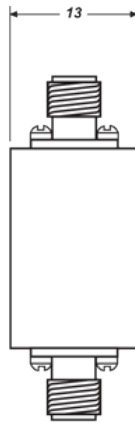
Conduction Cooled



Compact



Dimensions are in mm.



General Specifications

Frequency Range	8-2300MHz
Insertion Loss	6.1dB max.
Isolation	6dB min.
VSWR	1.1:1 max.
Input Power	100mW
Amplitude Balance	0.1dB max.
Operating Temperature	-55 to +70C
Storage Temperature	-55 to +85C
Connectors	SMA Female
Weight	0.1lbs max.
Body Finish	Paint

Note 1: The specification is subject to regular reviews and will be updated from time to time as part of our continuing product development and improved spec accuracy.
 Note 2: Operation beyond the quoted limits stated above may cause instantaneous and permanent damage.

